

PS20

PRESSURE SWITCHES



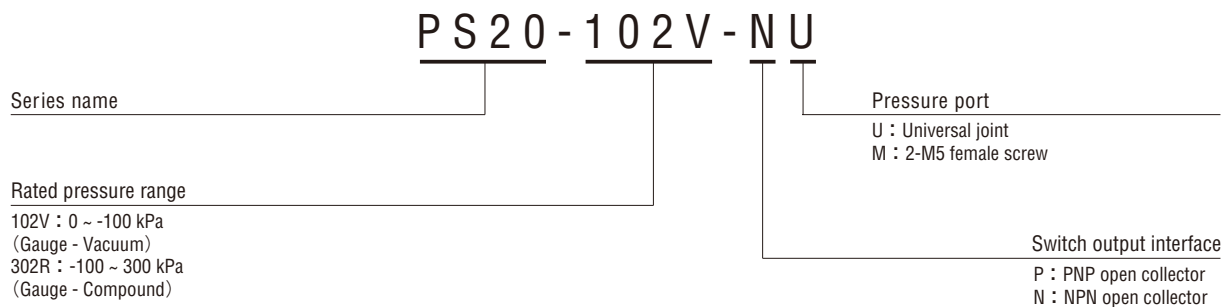
INTERNAL STRUCTURE
(2-M5 female screw)

Part name	Material
① Pressure port	Aluminum
② Housing	PC (Polycarbonate)
③ Sensor module	PPS (Polyphenylenesulphide)
④ "O" ring	Fluoro-rubber
⑤ Cable	Vinyl chloride resin
⑥ VR	POM (polyoxymethylene)

FEATURES

- Ultra-small size pressure transducer with Amp.
- With 1 switch output
- 2 types of pressure ports are available
- Meet EMC standards

MODEL NUMBER DESIGNATION



LIST OF MODEL NUMBERS

Pressure port	Pressure reference	Rated pressure range [kPa]	
		0 ~ - 100	- 100 ~ 300
Universal joint	NPN	PS20-102V-NU	PS20-302R-NU
	PNP	PS20-102V-PU	PS20-302R-PU
2-M5 female screw	NPN	PS20-102V-NM	PS20-302R-NM
	PNP	PS20-102V-PM	PS20-302R-PM

※Verify the above model numbers when placing orders.

STANDARD SPECIFICATIONS

● Unless otherwise specified, the specs are defined at an ambient temperature of 25±5 °C and excitation voltage of 24 V DC.

Item	Model number	PS20		
		102V	302R	
General specifications	Pressure reference	Gauge		
	Rated pressure range	kPa	0 ~ - 100	- 100 ~ 300
	Maximum pressure	kPa	200	600
	Operating temp. range	°C	- 10 ~ 60	
	Compensated temp. range	°C	0 ~ 50	
	Operating humidity	%RH	35 ~ 85	
	Storage temp.	°C	- 20 ~ 70	
	Pressure medium		Non-corrosive gases	
	Insulation resistance	MΩ minimum	100	
	Dielectric strength		500 V AC, 60 s	
	Net weight (Without cable)	g	Approx. 4 (PS20- * * * * - * U) 7 (PS20- * * * * - * M)	
Power	Supply voltage	V DC	10.8 ~ 30 (Including ripple percentage)	
	Consumption current	maximum	20 mA	
Switch output	No. of output		1	
	Output interface		NPN/PNP open collector output	
	Setting method		Adjustable by VR	
	Adjustable range		Zero through rated pressure, minimum	
	Display		Red LED (lighted when output is ON.)	
	Accuracy 0 ~ 50 °C (Reference temp.: 25 °C)	% F.S.	± 3	
	Hysteresis	% F.S. maximum	2	
	Switching capacity		30 V DC 80 mA maximum	
	Residual voltage	V	0.8 (NPN), 1.8 (PNP)	
	Response	ms	Approx. 1	

ENVIRONMENTAL CHARACTERISTICS

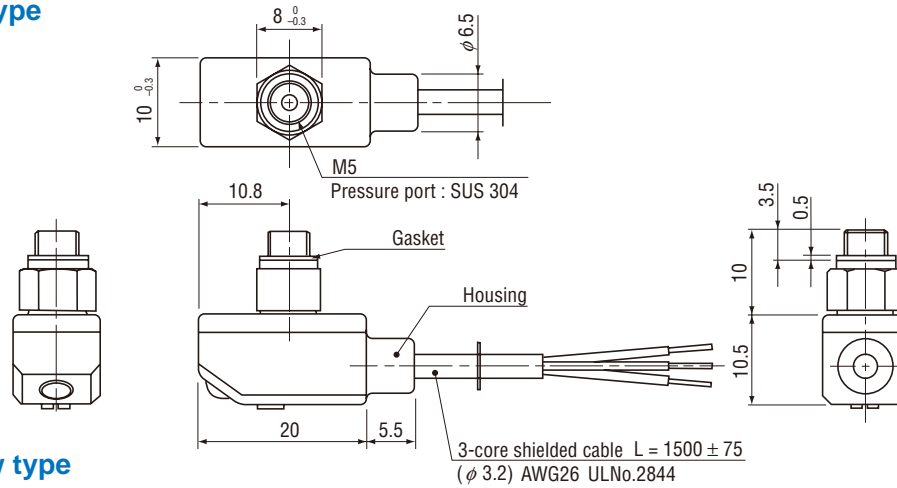
Test item	Test conditions	Permissible change
Vibration	10 ~ 55 Hz, 1.5 mm maximum, 3 directions for 2 hours each	Switch output pressure : ± 2 %F.S., maximum after test
Shock	1000 m/s², 3 directions for 3 times each	
Pressure cycling	0 ~ Rated pressure, 10 ⁶ cycles	
Moisture resistance	40 °C, 90 ~ 95 %RH, 240 hrs.	
EMC	EMI : EN55011 Group 1, Class B (1998) EMS : EN61326-1 (1997) / A1 (1998)	± 5 %F.S., maximum during tset

PS20 PRESSURE SWITCHES

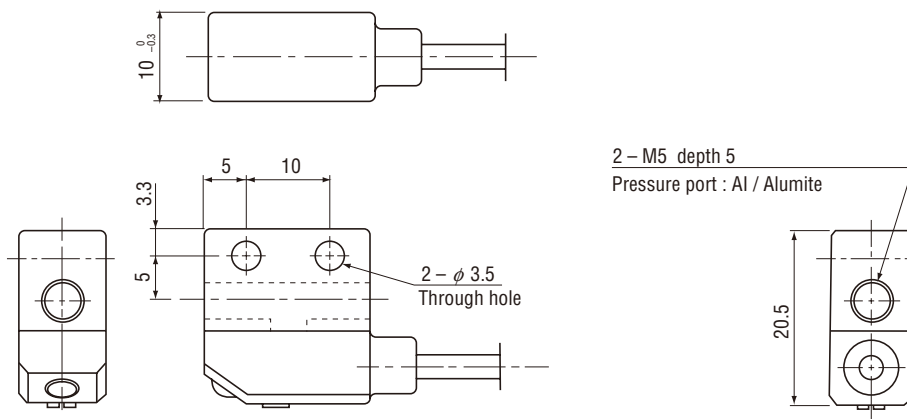
OUTLINE DIMENSIONS

Unless otherwise specified, tolerance : ± 0.5 (Unit: mm)

Universal joint type



M5 female screw type

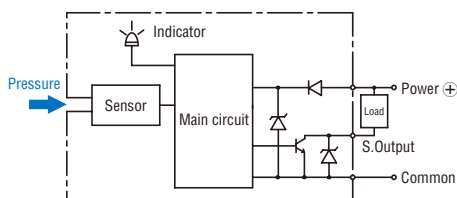


PS20

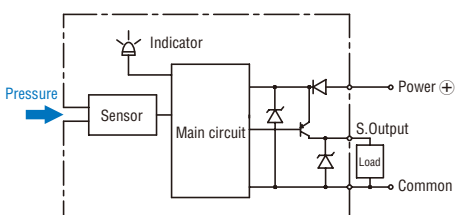
Wire color	Connection
Brown	Power ⊕
Black	Switch output
Blue	Common

INTERNAL ELECTRICAL SCHEMATICS

NPN open collector



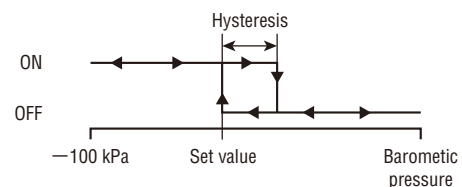
PNP open collector



SWITCH OUTPUT SCHEMATICS

Turns on at the set pressure and turns off at the set pressure minus the hysteresis.

102V



302R

