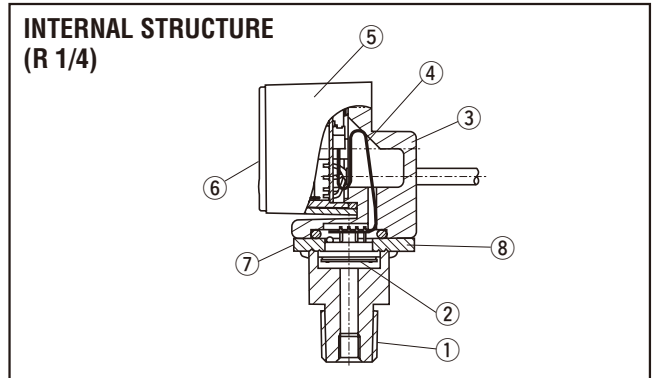
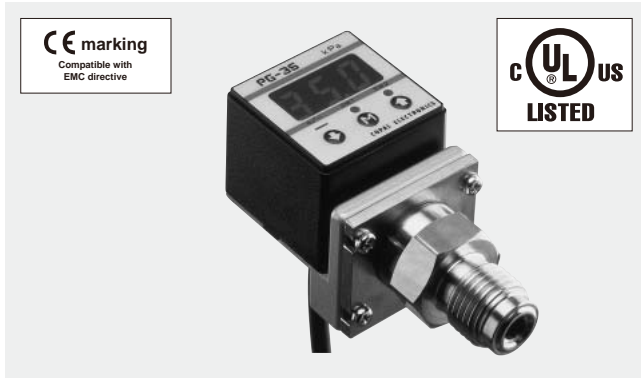


PG-35

PRESSURE GAUGES



Part name		Material
①	Fitting	SUS316L
②	Sensor module	SUS316L
③	Adaptor	Aluminum
④	FPC	Polymide
⑤	Case	PBT (Polybutyleneterphthalate)
⑥	Panel sheet	Polyester
⑦	“O” ring	NBR
⑧	Sensor holder	SUS316L

FEATURES

- **Both absolute pressure type and compound pressure type are available**
Compound pressure type measures negative and positive gauge pressure.
- **Compact and lightweight general-purpose pressure gauges**
Innovative general-purpose gauges of compact design (30mm sq.) and drip-proof structure (IP-65).
- **Clear indication by LED**
Easy-to-see LED assures clear readings on the panel and even in a dark place.
- **Various modes and units can be selected according to applications**
Eight different pressure units
Three analog output modes
Eight switch output modes
- **Meet EMC standards**
EN 55011 (EMI)
EN 61326-1 (EMS)
- **Low consumption by nondisplay mode**
- **Set data protection by panel lock function**

PG-35 PRESSURE GAUGES

MODEL NUMBER DESIGNATION

High corrosion resistance type

PG-35-102R-NR2B

Series name

Pressure range

102R : - 100 ~ 100 kPa (Compound pressure [Negative pressure ~ Positive pressure])
 102A : 0 ~ 100 kPa (Absolute pressure [Absolute vacuum ~ Barometric pressure])
 103R : - 100 ~ 1000 kPa (Compound pressure [Negative pressure ~ Positive pressure])

Pressure reference

R : Compound pressure (Negative pressure ~ Positive pressure)
 A : Absolute pressure (Absolute vacuum ~ Barometric pressure)

Port

Blank : Stem mount
 B : Back mount

Fitting

R2 : R 1/4 (With M5 female screw)
 GF : G 3/8 (Flush diaphragm type)
 G2 : G 1/4 (With M5 female screw)
 VC : 9/16-18UNF (Gasket joint)

Switch output interface

N : NPN open collector
 P : PNP open collector

LIST OF MODEL NUMBERS

Pressure medium	Fitting	Port	Switch output interface	Pressure reference Rated pressure range	Gauge		Absolute
					-100 ~ 100 kPa	-100 ~ 1000 kPa	0 ~ 100 kPa abs
Corrosive gases/ liquids compatible with SUS 316L	R 1/4	Stem mount	NPN		PG-35-102R-NR2	PG-35-103R-NR2	PG-35-102A-NR2
		Back mount		PG-35-102R-NR2B	PG-35-103R-NR2B	PG-35-102A-NR2B	
		Stem mount		PNP	PG-35-102R-PR2	PG-35-103R-PR2	PG-35-102A-PR2
		Back mount			PG-35-102R-PR2B	PG-35-103R-PR2B	PG-35-102A-PR2B
	G 3/8	Stem mount	NPN	PG-35-102R-NGF	PG-35-103R-NGF	PG-35-102A-NGF	
				PG-35-102R-PGF	PG-35-103R-PGF	PG-35-102A-PGF	
	9/16-18UNF	Stem mount	NPN	PG-35-102R-NVC	PG-35-103R-NVC	PG-35-102A-NVC	
		Back mount		PG-35-102R-NVCB	PG-35-103R-NVCB	PG-35-102A-NVCB	
		Stem mount		PNP	PG-35-102R-PVC	PG-35-103R-PVC	PG-35-102A-PVC
		Back mount			PG-35-102R-PVCB	PG-35-103R-PVCB	PG-35-102A-PVCB
	G 1/4	Stem mount	NPN	PG-35-102R-NG2	PG-35-103R-NG2	PG-35-102A-NG2	
			PNP	PG-35-102R-PG2	PG-35-103R-PG2	PG-35-102A-PG2	

※Verify the above model numbers when placing orders.

The products marked ↻ are manufactured upon receipt of order basis.

ACCESSORIES (Sold separately)

Name	Series name	Contents	Applicable model
Panel holder set	ACPG-003	Panel holder cover Panel holder Panel stopper (2pcs.)	PG-30 · PG-35 · PG-35H · PG-35L
Holder cover set (For protecting gauge operating panel)	ACPG-004	Panel holder cover Panel holder	PG-30 · PG-35 · PG-35H · PG-35L

ENVIRONMENTAL CHARACTERISTICS

Test item	Test conditions	Permissible change
Vibration	10~500 Hz, 98.1 m/s ² or 1.5 mm P-P, 3 directions for 2 hours each	± 2 %F.S. maximum after test ※1 [Amount of analog output fluctuation is permitted by adding conversion error of 20 mV.]
Shock	490 m/s ² , 3 directions for 3 times each	
Pressure cycling	0 ~ Rated pressure, 10 ³ cycles	
Moisture resistance	40 °C, 90 ~ 95 %RH, 240 hrs.	
EMC	EMI : EN 55011 Group 1, class B (1998) EMS : EN 61326-1 (1997)	± 5 %F.S. maximum during test ※1

※1 Change in the pressure indication, switch operating points and analog output.

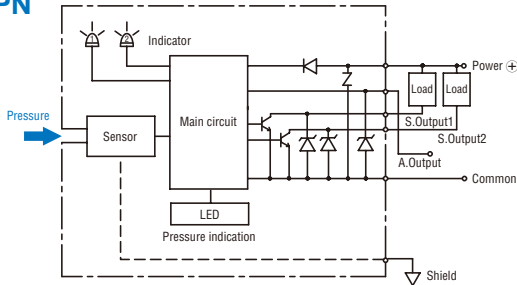
STANDARD SPECIFICATIONS

● Unless otherwise specified, the specs are defined at an ambient temperature of 25±5 °C and excitation voltage of 12 V DC.

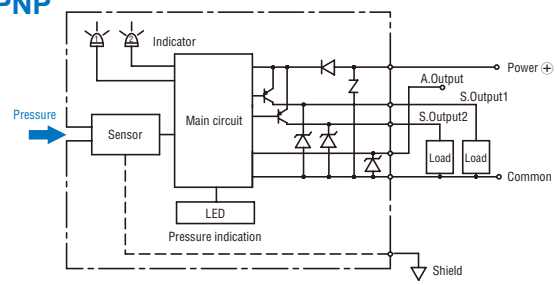
Item		Model number	PG-35		
			102R	103R	102A
General specifications	Pressure reference		Gauge		Absolute
	Pressure medium		Corrosive gases/liquids compatible with SUS 316L		
	Rated pressure range	kPa	-100 ~ 100	-100 ~ 1000	0 ~ 100 (abs)
	Maximum pressure	kPa	200	2000	200 (abs)
	Break-down pressure	kPa	300	3000	300 (abs)
	Operating temp. range	°C	-10 ~ 50		
	Compensated temp. range	°C	0 ~ 50		
	Operating humidity	%RH	35 ~ 85		
	Protection grade		In accordance with IEC IP-65		
	Type of mounting		Stem mount, Back mount		
	Material of pressure port attachment		SUS 316L		
	Net weight	g	Approx. 150 (Including 2 m cable)		
	Thermal error		±3 %F.S. (0 ~ 50 °C)		
	Insulation resistance		100 MΩ以上 100 MΩ minimum (DC500 V)		
	Dielectric strength		AC500 V 1 minute (Leakage current 1 mA maximum)		
	Input voltage		10.8 ~ 30 V DC (Including ripple percentage)		
Consumption current		50 mA maximum			
Display	Display element		Full 3-digit LED		
	Rated display range	kPa	-99.9 ~ 99.9	-100 ~ 999	0.0 ~ 99.9
	Multiplier settings		Max. 11 settings		
	Negative pressure display		Red LED is ON.		
	Display accuracy		± 1 %		
Switch output	Output status		NPN/PNP		
	Output mode		2-point output (Transistor, Open collector output)		
	Output mode		Separate mode / window comparator mode		
	Switching capacity		30 V DC 100 mA Short-circuit protection		
	Residual voltage		1.2 V maximum (NPN), 2.2 V maximum (PNP) (At load current of 100 mA)		
	State indication		Output 1 (Green LED), Output 2 (Red LED) Lighted when output is ON.		
	Switch hysteresis		0 ~ 300 counts Adjustable		
	Repeatability		±0.2 %F.S. ±1 count (±0.3 %F.S. maximum)		
Response		Approx. 5, 25, 250, 2500 ms Adjustable			
Analog output	Output mode		3 modes		
	Output voltage		1~5 V (G/V mode ZERO : 1 ± 0.2 V, SPAN : 4 ± 0.2 V) R mode ZERO : 3 ± 0.2 V, SPAN : 2 ± 0.2 V)	103 R (R mode)	ZERO : 1.36 ± 0.2 V SPAN : 3.64 ± 0.2 V
	Impedance		10 kΩ		
	Resolution		1/204		
	Response		Approx. 5, 25, 250, 2500 ms Adjustable		
Accessories			"O" rings are supplied (G 3/8 : P18, G 1/4 : P15)		

INTERNAL ELECTRICAL SCHEMATICS

● NPN



● PNP



SELECTION OF DISPLAY MULTIPLIER

The last digit/letter represents the selection code : Blinking red LED indicates negative pressure.

Display multiplier	Pressure range		
	102R	103R	102A
1 × 1	- 99.9 ~ 99.9	- 100 ~ 999	0.0 ~ 99.9 (abs)
2 × 0.0102		- 1.02 ~ 9.99	
3 × 10.2	- 999 ~ 999		0 ~ 999 (abs)
4 × 7.501	- 750 ~ 750		0 ~ 750 (abs)
5 × 102			
6 × 0.01		- 1.00 ~ 9.99	
7 × 10	- 999 ~ 999		0 ~ 999 (abs)
8 × 0.145	- 14.5 ~ 14.5	- 14 ~ 145	0.0 ~ 14.5 (abs)
9 × 0.000145			
A × 0.001		- 0.10 ~ 1.00	
b × 0.2953	- 29.5 ~ 29.5	- 29 ~ 295	0.0 ~ 29.5 (abs)

Diagonal column: Display multiplier cannot be selected due to resolution and number of digits. (Selection code is not indicated either.) Selection code is set at "1" prior to shipment.

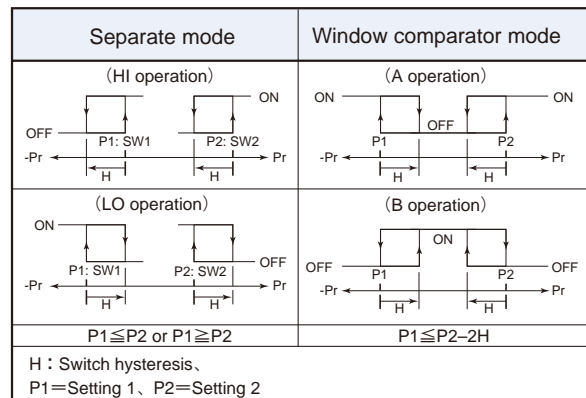
ANALOG OUTPUT MODE

Display	Pressure range	-Pr		0		Pr	
		←	→	←	→	←	→
1	R mode	1 V	-----	-----	-----	-----	5 V
2	G mode			1 V	-----	-----	5 V
3	V mode	5 V	←-----	-----	-----	-----	1 V

When shipped from our factory : 102R : V mode is set at "3" and 102R, 103R : G mode is set at "2". In case of 102R and 103R, R/G/V mode can be set at "1", "2" or "3" (However, the accuracy at V mode of 103R can't be guaranteed). 102A : Only G mode can be set.

SWITCH OUTPUT MODE

Output	SW1				SW2			
	Separate		Window comparator		Separate		Window comparator	
Mode	HI	LO	A	B	HI	LO	A	B
1	○				○			
2	○					○		
3		○			○			
4		○				○		
5			○				○	
6			○				○	
7				○				○
8				○				○
Pressure setting (Operating point)	Setting 1		(Lower limit) : Setting 1 (Upper limit) : Setting 2		Setting 2		(Lower limit) : Setting 1 (Upper limit) : Setting 2	



Note 1. In the Separate Mode, setting 1 corresponds to SW1, and Setting 2 corresponds to SW2.

Note 2. In the Window Comparator Mode, the minimum value for SW1 and SW2 corresponds to Setting 1 and the maximum value corresponds to Setting 2.

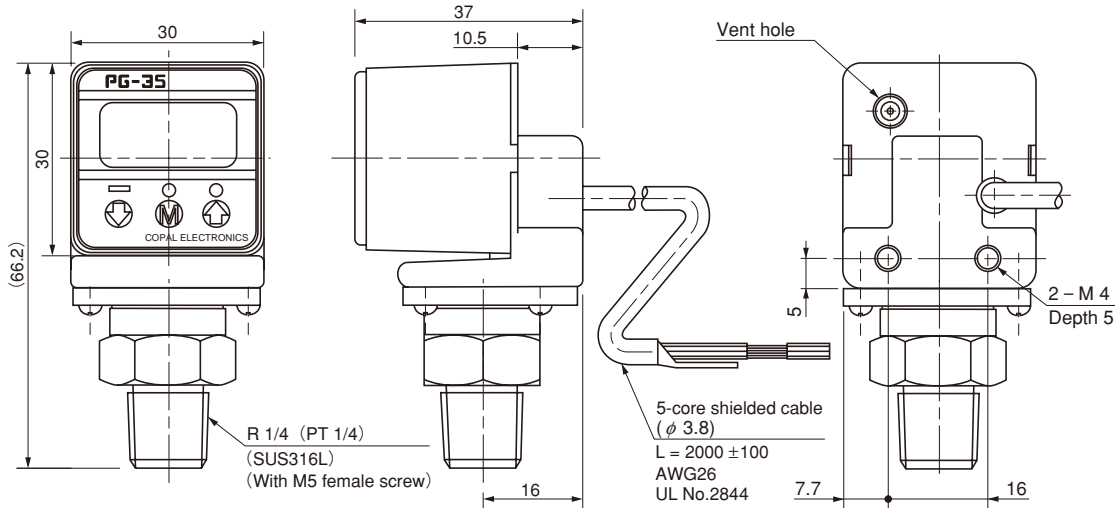
PG-35 PRESSURE GAUGES

OUTLINE DIMENSIONS

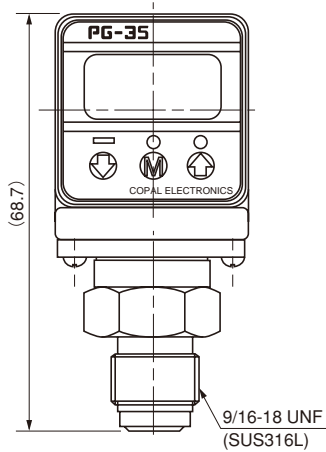
PG-35

Unless otherwise specified tolerance : ± 0.5 (Unit: mm)

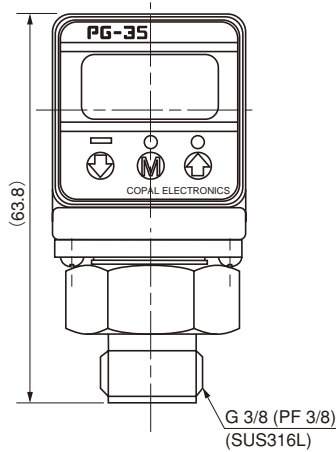
Configurations of joint R2 type



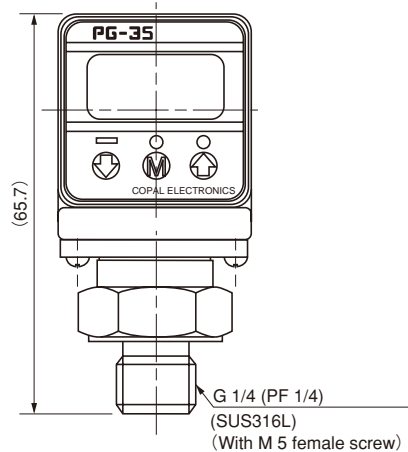
Configurations of joint VC type



Configurations of joint GF type



Configurations of joint G2 type



! Extra care should be taken with the diaphragm part. Do not touch the diaphragm directly to avoid damaging the diaphragm.

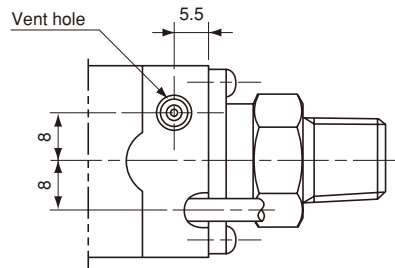
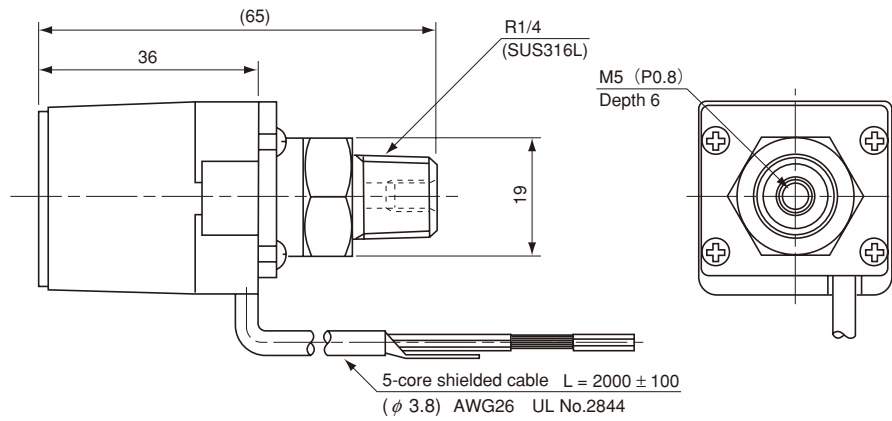
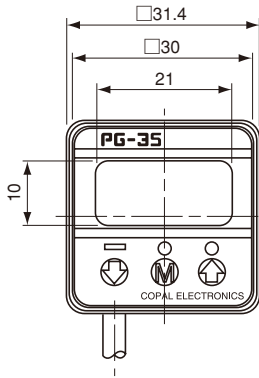
Wire color	Connection
Brown	Power ⊕
Gray	Analog output
Black	Switch output 1
White	Switch output 2
Blue	Common
Shield	Fitting

PG-35
PRESSURE GAUGES

OUTLINE DIMENSIONS

Unless otherwise specified tolerance : ± 0.5 (Unit: mm)

● **PG-35-B (R2)**



● **PG-35-B (VC)**

